

Mitutoyo

PRECISION TOOL SALE

SPRING 2020



Effective April 1st - June 30th 2020 while quantities last. Some items may not be exactly as shown & may be seen with extra accessories not included in the promo.



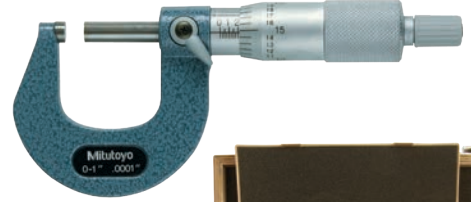
FOLLOW US • LIKE US

Distributed By:

2 Micrometers

MECHANICAL MICROMETERS

Graduation	Range	Order No.	Promo	Calibration
.0001"	0-1"	103-260	\$126.35	\$41.00
.0001"	1-2"	103-132	\$134.32	\$41.00



MECHANICAL MICROMETERS SETS

Graduation	Range	Order No.	Promo	Calibration
.0001"	0-12"	103-908-40	\$2,203.40	\$881.00



MECHANICAL MICROMETER - INTERCHANGEABLE ANVILS

Graduation	Range	Order No.	Promo	Calibration
.001"	12-18"	104-201	\$897.00	\$305.00

MECHANICAL DEPTH MICROMETER

Base Size	Range	Order No.	Promo	Calibration
2.5"x63"	0-4"	129-127*	\$209.95	\$120.00
2.5"x63"	0-6"	129-128**	\$257.45	\$160.00

*129-127 (4 rods), **129-128 (6 rods)



MICROMETER STAND- ADJUSTABLE

Micrometer Range	Order No.	Promo
up to 4"/100mm	156-101-10	\$100.70

Adjustable angle type



DIGIMATIC MICROMETERS

Resolution	Range	Order No.	Promo	Calibration
.00005" / 0-25.4mm	0-1" / 0.001mm	293-348-30*	\$214.70	\$41.00
.00005" / 25.4-50.8 mm	1-2" / 0.001mm	293-331-30	\$312.80	\$41.00
.00005" / 50.8-76.2 mm	2-3" / 0.001mm	293-332-30	\$385.48	\$41.00
.00005" / 76.2-101.6 mm	3-4" / 0.001mm	293-333-30	\$427.80	\$41.00

*without SPC



QUANTUMIKE

Resolution	Range	Order No.	Promo	Calibration
.00005" / 0-25.4mm	0-1" / 0.001mm	293-180-30	\$307.28	\$41.00
.00005" / 25.4-50.8 mm	1-2" / 0.001mm	293-181-30	\$347.76	\$41.00



DIGIMATIC INSIDE MICROMETER - CALIPER TYPE

Range	Order No.	Promo	Calibration
.2-1.2"/5-30mm	345-350-30	\$642.16	\$41.00



DIGIMATIC INDICATORS ID-S

Resolution	Range	Order No.	Promo	Calibration
.0005"/0.01mm	.5" / 12.7mm	543-783B	\$212.80	\$41.00
.0001"/0.001mm	.5" / 12.7mm	543-793B	\$319.24	\$41.00



DIGIMATIC INDICATORS ID-C

Resolution	Range	Order No.	Promo	Calibration
.00005"/.0001"/.0005" / 0.0001mm/0.01mm	.5" / 12.7mm	543-342B	\$537.28	\$41.00
.0005"/.0001"/.00005"/0.001mm/0.01mm	.5" / 12.7mm	543-391B	\$494.96	\$41.00
.0005"/0.01mm	1"/25.4mm	543-476B	\$526.24	\$41.00



4 Indicators

DIAL INDICATORS - COMPACT

Graduation	Range	Dial Reading	Order No.	Promo	Calibration
.001"	.25"	0-50-0	1411S	\$123.50	\$41.00



DIAL INDICATORS

Graduation	Range	Dial Reading	Order No.	Promo	Calibration
.001"	.5"	0-100	2414S	\$126.35	\$41.00
.001"	1"	100-0	2904S	\$143.52	\$41.00



Graduation	Range	Dial Reading	Order No.	Promo	Calibration
0.01mm	20mm	0-100	2050S-19	\$178.48	\$41.00
0.01mm	25mm	0-100	2056S-01	\$133.40	\$41.00

POCKET TYPE INDICATOR

Graduation	Range	Dial Reading	Order No.	Promo	Calibration
.001"	.04"	0-20-0	513-518T	\$175.75	\$41.00
.001"	.04"	0-20-0	513-528T	\$168.36	\$41.00



DIAL TEST INDICATOR

Graduation	Range	Dial Reading	Order No.	Promo	Calibration
.0005"	.03"	0-15-0	513-412-10E	\$222.30	\$41.00
.0005"	.06"	0-15-0	513-442-10A	\$204.24	\$41.00
0.002mm	0.2mm	0-100-0	513-405-10T	\$220.80	\$41.00

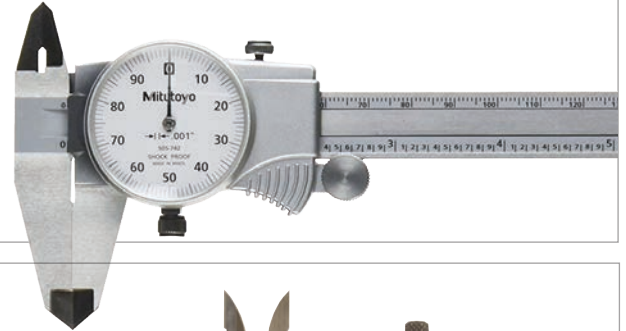


DIAL TEST INDICATOR SET

Set Includes	Order No.	Promo	Calibration
513-402 & 7014E	513-907-10E	\$257.45	\$41.00

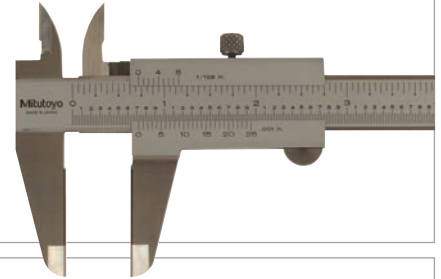
DIAL CALIPER

Graduation	Range	Order No.	Promo	Calibration
.001"	0-6"	505-742	\$147.25	\$41.00
.001"	0-12"	505-746	\$344.85	\$68.00
0.01mm	0-150mm	505-732	\$142.60	\$41.00



MECHANICAL VERNIER CALIPER

Graduation	Range	Order No.	Promo	Calibration
0.05mm (lower scale) 1/128" (upper scale)	0-150mm/0-6"	530-316	\$89.24	\$41.00



DIGIMATIC ENCODER TECHNOLOGY CALIPER

Resolution	Range	Order No.	Promo	Calibration
.0005"/0.01mm	0-6"/0-150mm	500-160-30*	\$361.56	\$41.00
.0005" / 0.01mm	0-8"/0-200mm	500-164-30*	\$450.80	\$54.00
.0005" / 0.01mm	0-12"/0-300mm	500-173-30	\$555.75	\$68.00

*Without SPC



DIGIMATIC CALIPER

Resolution	Range	Order No.	Promo	Calibration
.0005"/0.01mm	0-6"/0-150mm	500-752-20	\$250.80	\$41.00
.0005"/0.01mm	0-8"/0-200mm	500-753-20	\$337.25	\$54.00

Without SPC



CARBON FIBER DIGIMATIC CALIPER

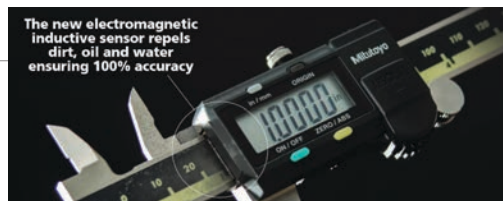
Resolution	Range	Order No.	Promo	Calibration
.0005"/0.01mm	0 (0.5")-24"	552-313-10	\$1,229.12	\$120.00
.0005"/0.01mm	0(1")-60"	552-315-10	\$2,620.16	*

* contact us for calibration information



MY CAL-LITE

Range	Order No.	Promo	Calibration
0-6"/0-150mm	700-113-10	\$134.32	\$41.00



6 MISC

MECHANICAL BORE GAUGE

Range	Order No.	Promo	Calibration
.7-6"	511-932	\$1,194.16	\$94.00
2.0-6.0"	511-743	\$457.24	\$94.00

*Please view our catalogue for specifics



THICKNESS GAUGE

Graduation	Range	Order No.	Promo	Calibration
.001"	0-.5"	7300S	\$154.56	\$54.00



PITCH GAUGE

Composition of leaves	Range	Order No.	Promo
30 leaves	4-42 TPI	188-111	\$38.95
21 leaves	0.4-7mm	188-122	\$40.85
51 leaves	0.4-7mm/4-42 TPI	188-151	\$73.15

*Please view our catalogue for specifics



RADIUS GAUGE SET

leaves	Size	Order No.	Promo
26	0.5-13mm by 0.5mm	186-902	\$170.20



STEEL RULE FLEXIBLE

Description	Order No.	Promo
Steel Rule Flexible Wide 6"	182-201	\$16.15
Steel Rule Flexible Wide 6"	182-208	\$23.75
Steel Rule Flexible Wide 12"	182-225	\$31.35



POCKET STEEL RULE

Description	Order No.	Promo
Pocket Steel Rule Wide 6"	950-300	\$12.35



DIGIMATIC HEIGHT GAUGE

Resolution	Range	Order No.	Promo	Calibration
.0005"/0.01mm	0-12"/0-300mm	570-312	\$755.25	\$120.00
.0005"/0.01mm	0-18"/0-450mm	570-313	\$1,023.96	\$147.00



MAGNETIC STANDS

Description	Order No.	Promo
Magnetic Stand	7010S-10	\$109.25
Magnetic Stand	7014E-10	\$101.20
Magnetic Stand, Universal	7031B	\$220.80
Magnetic Stand, Universal	7033B	\$238.45



TELESCOPING GAUGE

Includes	Range	Order No.	Promo
6 gauges	.313-6"	155-903	\$247.00
4 gauges	.315-2.125"	155-907	\$144.40

*Please view our catalogue for specifics

EVENTS



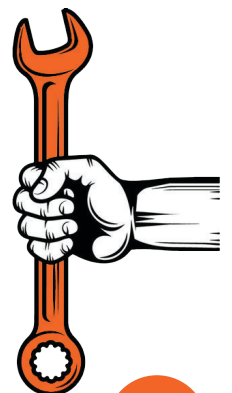
MAY 4 - 6, 2020 SKILLS ONTARIO
TORONTO CONGRESS CENTER,
TORONTO, ONT.

MAY 27 - 30, 2020 SKILLS NATIONALS
VANCOUVER CONVENTION CENTER
VANCOUVER, BC.



MONTREAL MANUFACTURING
TECHNOLOGY SHOW

MAY 11TH - 13TH, 2020
PLACE BONADVENTURE,
MONTREAL, QC



HARDMATIC, HH-411 (ASTM)



HH-411 is a rebound-type portable hardness tester for metal. It is designed with a compact body and high operability.

Order No. 810-298-10
LIST PRICE
\$4,994.00



RECEIVE WITH PURCHASE OF THE HH-411
A DP-1VR DATA PROCESSOR AND SPC CABLE FOR FREE!
 Order No. 264-505A

MICROSCOPES

TM-505B & TM1005B

Order No.	176-818A		176-819A
Objective lens	Standard accessory: 2X, Options: 5X, 10X		
Microscope head	Maximum height of workpiece	4.53"/115mm	4.21"/107 mm
illumination unit	Transmition Illumination Surface Illumination	Stepless bright adjustment, white LED light source, with green filter Oblique single-source type, Stepless brightness adjustment, White LED light source	
Cross-travel stage	Measuring Range	2" X 2" / 50 X50 mm	4" X 2" / 100 50 mm (Optional 2"/ 50 mm gauge block is required to cover full range. A CERA block is recommended.
	Table size	6" X 6" / 152 X152 mm	9.44" X 6" / 240 X 152 mm
	Usable area of the stage glass	3.8" X3.8" / 96 X96 mm	6" X 3.8" / 152 X 96mm
Linear Measurement Method	Micrometer heads optional		
Resolution	.00005"/ 0.001mm		
	SAVE 15%	\$4,027.30	\$5,833.55
	List Price	\$4,738.00	\$6,863.00



OPTIONAL ACCESSORIES



DIGIMATIC MICROMETER HEAD

Order No.	Price	Calibration
164-164	\$984.30	\$76.00



Description	Order No.	Price
MOTICAM 1080, 2.0 MEGAPIXEL-1/2.8" CMOS, USB/HDMI	64AAB526	\$1,445.00

LINEAR GAUGES



LINEAR GAUGE - LGF

Resolution	Range	Order No.	Promo	Calibration
0.001mm/.00005"	(.4") 10mm	542-161	\$728.64	\$41.00
0.001mm/.00005"	(1") 25mm	542-162	\$939.32	\$41.00

LINEAR GAUGE LG - LONG RANGE

Resolution	Range	Order No.	Promo	Calibration
0.001mm/.00005"	(4") 100mm	542-332	\$2,364.40	\$41.00

LINEAR GAUGE LG - LONG RANGE MOTORIZED

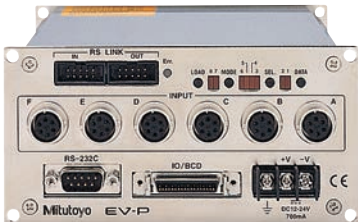
Resolution	Range	Order No.	Promo	Calibration
0.0001mm	(4") 100mm	575-313	\$281.52	\$41.00



COUNTERS AND DISPLAYS



Description	Order No.	Promo
EC Counter - Assembly Type Display Unit	542-007A	\$419.52



Description	Order No.	Promo
EH Counter - Multi-function Type/ Multiple Input Type	542-063	\$1,935.68
	542-064	\$1,935.68

Description	Order No.	Promo
EH Counter - Multi-function Type	542-072A	\$1,379.08



Description	Order No.	Promo
Display Unit, D-EV, for EV Counter	02ADD400	\$462.76



HARDNESS TESTERS



HR-320MS

Order No. 963-231-10A
List Price \$10,925.00

PROMO

\$7,995.00

Features:

- The frame design allows the full 7.1" of specimen capacity without the need to cut a hole in the table
- *HR320 uses a flashing bar graph to indicate when the initial test force has been reached

HR-530

Order No. 810-237
List Price \$19,250.00

PROMO

\$17,325.00

Features:

- Unique electronic controls makes the HR-530 series of hardness testers capable of Rockwell, Rockwell Superficial, Rockwell testing of plastics (A&B) and Light Force Brinell hardness Testing.
- Includes a touch panel display for simplistic functionality and operatbility.

HR-600

Order No. 810-510-13
NEW MODEL

LIST PRICE

\$27,500.00

Features:

- The HR-600 is a High-End CNC hardness testing machine capable of Rockwell hardness testing and Light Force Brinell hardness testing.
- Includes a high-resolution scale load cell developed uniquely by Mitutoyo that allows for high-precision test load feedback control.

PROFILE PROJECTORS

PACKAGES

Description	Order No.	List Price	Promo
PH-3515F KA Counter PKG # 1	M172868-1	\$14,500.00	\$13,050.00
PH-3515F QM-DATA PKG # 2	M172868-2	\$16,875.00	\$15,187.50
PH-3515F QM-DATA/OPT200 PKG # 3	M172868-3	\$19,500.00	\$17,550.00

Description	Order No.	List Price	Promo
PH-A14 KA Counter PKG # 4	M172810-4	\$10,268.00	\$9,241.20
PH-A14 QM-Data PKG # 5	M172810-5	\$12,687.00	\$11,418.30
PH-A14 QM-Data w/OPT200 PKG # 6	M172810-6	\$14,197.00	\$12,777.30

CHOOSE THE PACKAGE WITH
THE OPTIONS YOU PREFER!



KA-200 DISPLAY COUNTER

- Simple to use 2 axis counter
- Inch/mm switchable
- Zero Set/Preset functions



QM DATA PROCESSOR

- Graphic display screen
- Programmable
- Full 2D coordinate measurement capability



OPTOEYE-200 EDGE SENSOR

- Eliminates visual alignment errors
- Ensures fast, accurate and consistent measurements



PH-3515F



PH-A14

M2 D2 PROCESSOR & RETROFIT PACKAGES

PH-A14 Profile Projector, M2 Software/Hardware, Mounting Kit ASUSPRO A4110-XS02, All-In-One PC

Order No. 64PKA154
List Price \$13,505.00
PROMO \$12,154.50

PH-A14 Profile Projector, Optical Detection Unit, M2 Software/Hardware, Mounting Kit ASUSPRO A4110-XS02, All-In-One PC

Order No. 64PKA155
List Price \$15,273.00
PROMO \$13,745.70

Retrofit Packages for PH-A14, M2 Software/Hardware, Mounting Kit ASUSPRO A4110-XS02, All-In-One PC

Order No. 64PKA156
List Price \$5,179.00
PROMO \$4,661.10

Retrofit Packages for PH-A14 Profile Projector, Optical Edge Detection Unit, M2 Software/Hardware, Mounting Kit ASUSPRO A4110-XS02, All-In-One PC

Order No. 64PKA157
List Price \$6,958.00
PROMO \$6,262.20



WE'RE EXHIBITING AT

mmmts

MONTREAL MANUFACTURING
TECHNOLOGY SHOW

MAY 11 - 13, 2020
PLACE BONAVENTURE
MONTREAL, QC

VISIT US AT MMTS, BOOTH #319.
Meet our Measuring Experts, see new
Innovating Products and ask us about
IIoT and Industry 4.0 Solutions.



Mitutoyo

We reserve the right to change prices and specifications without notice.
Not valid with any other offer or promotion. This promotion is for Canadian market only.
Request formal quotation for complete details.

Note: All information regarding our products, and in particular the illustrations, drawings, dimensional and performance data contained in this printed matter as well as other technical data are to be regarded as approximate average values. We reserve the right to make changes to the corresponding designs. The stated standards, technical regulations, descriptions and illustrations of the products were valid at the time of printing. In addition, the products are subject to Canadian Export Administration Regulations. Re-export or relocation of Mitutoyo products may require prior approval by an appropriate governing authority. We have tried to be as accurate as possible, however, there may be some errors in text, specifications or price. Please confirm with your customer service rep. Some items may not be exactly as shown. Prices are in Canadian dollars, unless otherwise specified. Applicable taxes and shipping charges are extra. © 2018 Mitutoyo Canada Inc., Mississauga ON Canada We reserve the right to change specifications and prices without notice.

EXPERIENCE MITUTOYO M³ SOLUTION CENTERS

Mississauga ON
2121 Meadowvale Blvd., Mississauga,
ON L5N 5N1
Tel. (905) 821-1261

Montréal QC
#129-7075 place Robert-Joncas,
Montréal, QC H4M 2Z2
Tel. (514) 337-5994 Ext. 251

www.mitutoyo.ca info@mitutoyo.ca



FOLLOW US • LIKE US